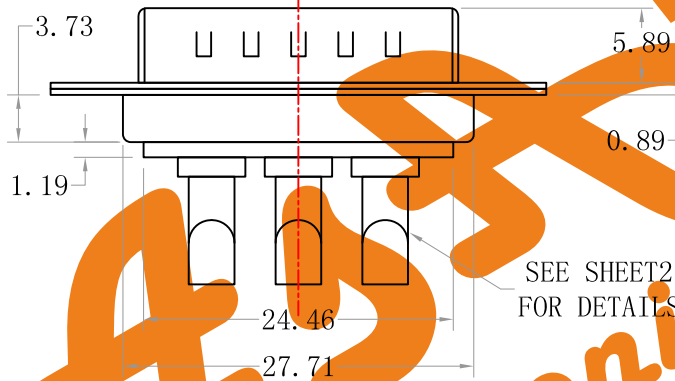
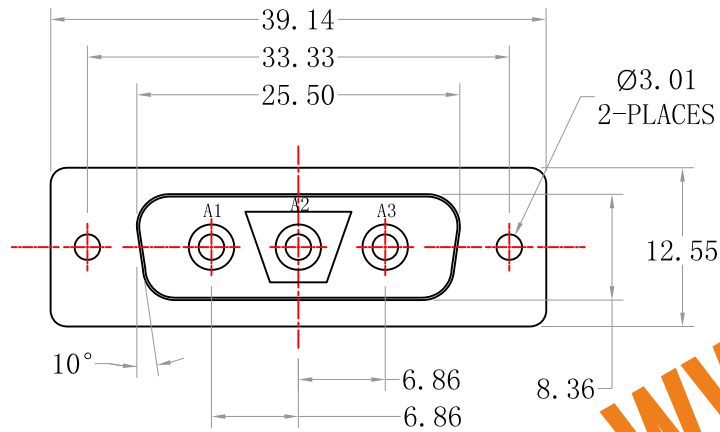


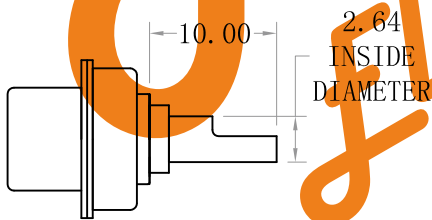
# POWER D-SUB 3V3 SOLDER CUP-MALE

ROHS COMPLIANT

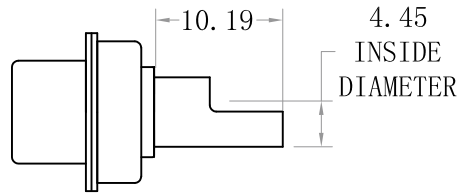


SEE SHEET2 FOR DETAILS

NOTE:  
POWER CONTACTS COME  
PRE-LOADED INTO INSULATORS



20 AMP POWER CONTACTS  
ACCEPTS UP TO 12 AWG WIRE



40 AMP POWER CONTACTS  
ACCEPTS UP TO 8 AWG WIRE

## SPECIFICATIONS:

**ELECTRICAL:**  
 INSULATOR RESISTANCE: 5,000 MegOHMS Min.  
 DIELECTRIC WITHSTANDING: 1,000 VAC r. m. s.  
 OPERATING TEMPERATURE: -55°C ~ +125°C  
 CONTACT RESISTANCE: 30 MILLIOHMS Max.  
 POWER PINS: SEE PART No. BELOW

## MECHANICAL:

CONTACT INSERTION FORCE: 4.5kg Max  
 CONTACT SEPARATOR FORCE: 0.3kg Min  
**MATERIALS:**  
 CONTACTS: BRASS  
 INSULATOR: PBT UL94V-0 RATED,  
 230°C PROCESS TEMP.

## SHELL:

STEEL

## FINISH:

NICKEL

## Ordering Code:

PDB3V3	-M	-G0	-B	-20	-00
①	②	③	④	⑤	⑥

- ① Series
- ② Contact Type:  
M:Male F:Female
- ③ Contact NO. :  
G0: Gold flash G1: 3u" Gold  
G2: 5u" Gold G3: 10u" Gold  
G4: 15u" Gold G5: 30u" Gold
- ④ Insulation Color Code:  
B:Black L:Blue  
W:White
- ⑤ Power AMP:  
10 = 10AMPS; 20 = 20AMPS;  
30 = 30AMPS; 40 = 40AMPS;
- ⑥ Series no

Unless Otherwise specified tolerance

X:±0.35  
 X.X:±0.25  
 X.XX:±0.20  
 X.XXX:±0.15

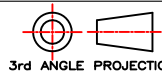
SCALE: 1:1 UNIT: mm

DRAWN: junfon H

CHECKED: YANG

12/5/3

DATE



ASA Electronic Co.

Tel : (+98) 21 66 73 56 82 Mob : (+98) 912 03 161 02

TITLE:  
POWER D-SUB 3V3 SOLDER CUP-MALE

DRAWING NO: PDB3V3-MXXXXX00

PRODUCT NO: PDB3V3-MXXXXX00